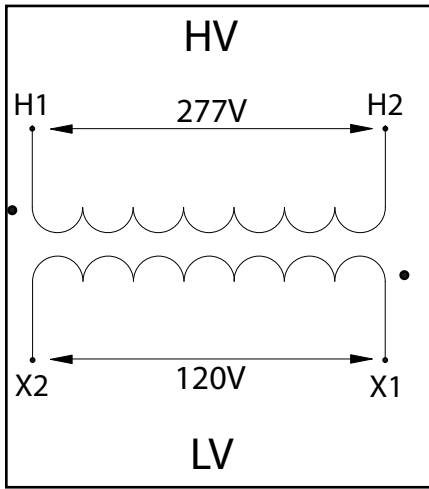


## HPS Spartan and HPS Fusion - Wiring Schematic Drawings continued

### Group G

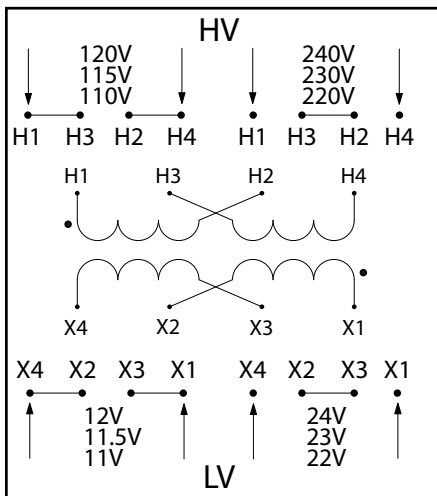


#### SP\*\*\*NJ Schematic Connections for 277 to 120

#### FS\*\*\*NJ Schematic Connections for 277 to 120

High Voltage (HV) (Primary Volts)	Install Supplied Jumpers Between Terminals	Supply Lines Connect To
277	None	H1, H2
Low Voltage (LV) (Secondary Volts)	Install Supplied Links Between Terminals	Load Lines Connect To
120	None	X1, X2

### Group H



#### SP\*\*\*PR Schematic Connections for 120 X 240 to 12 X 24

#### FS\*\*\*PR Schematic Connections for 120 X 240 to 12 X 24

High Voltage (HV) (Primary Volts)	Install Supplied Jumpers Between Terminals	Supply Lines Connect To
120 115 110	H1-H3, H2-H4	H1, H4
240 230 220	H2-H3	H1, H4
Low Voltage (LV) (Secondary Volts)	Install Supplied Links Between Terminals	Load Lines Connect To
12 11.5 11	X1-X3, X2-X4	X1, X4
24 23 22	X2-X3	X1, X4